



- Interface to RS-232 and RS-485 equipment
- Three addressing modes
- Available router or end device configurations
- Battery operation
- Zigbee network management
- Connect hundreds of devices in a single network

**Build your own network:
Remotely Monitor and Control your field equipment**

The AP101 AirPoint Serial module is a member of the AZN product family that connects the serial port of almost any remote device to your host controller over AZN*, Air2Apps’ wireless mesh network. The AP101 includes both an RS-232 and an RS-485 interface, passing byte streams to and from remote equipment.

AP101 is configured as either Zigbee end device or router, may be battery powered, and supports three addressing modes, providing flexible integration into your host application. The AP101 automatically joins the network connecting any combination of serial equipped sensors, PLCs, instrumentation - any device with a serial port.

Your host controller may be a dedicated control panel, a control application running on a local PC, or an Internet based client. Host connection to AZN is via the AirGate module, your host controller’s bidirectional serial access to all AirPoints. See AG101/AG102. For 24x7 managed Internet service, Air2Apps’ AirServ monitors AZN connected equipment, sending alerts to any number of users of event conditions via E-mail, Text messaging, Fax or Voice.

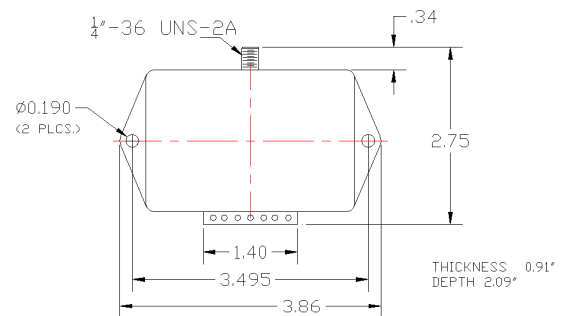
* AZN is Air2Apps’ implementation of the ZigBee™ wireless mesh network. AZN is a flexible, simple to install, expandable, network connecting hundreds of devices spread over large areas. See AZN product sheet.

General Specifications

Operating Temperature:	-40°C to +85°C
Supply Voltage	9 to 36 VDC
Operating Current:	Sleep – <3 μA@3.3V typical Receive – 30 mA@3.3V typical Transmit – 25 mA@3.3V typical
Size:	3.875” x 2.400”

Standard I/O

RS-232	TX/RX, 8,n,1 Baud rate: 1,200 to 115,000
RS-485	Half duplex, 8,n,1 Baud rate: 1,200 to 115,000



Required Accessories

- Antenna
- AirGate Master (optional)